

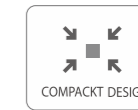
XP-490B

Direct Thermal Label Printer

Xprinter®

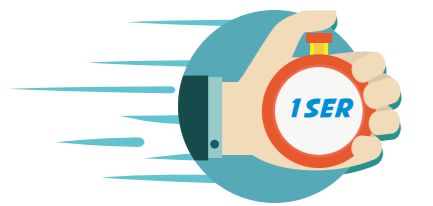
XP-490B

Direct Thermal Printer



Latest Labeling And Solutions
Your Labeling Partner

- Restaurants
- Gas Stations
- Buses
- Coffee shops
- Bakeries
- Clothing Stores



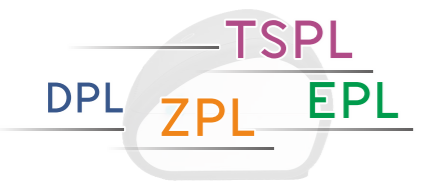
- One order per second, 152mm/s high print speed



- 108mm ultra wide Print specifications



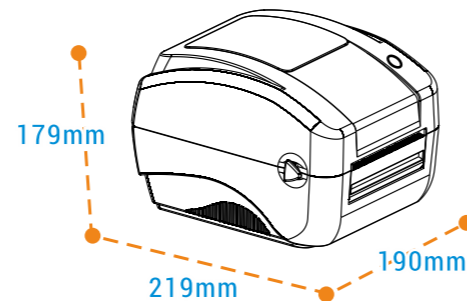
- Support peeling function



- Rich emulation language compatibility



- External paper roll holder (Optional)



Printer Specifications	XP-490B	XP-490E
Resolution	203 DPI	300 DPI
Print Method	Direct Thermal	
Memory	32 MB RAM / 16 MB Flash	
Max. Print Width	4.25 in./108 mm	
Max. Print Speed	Up to 6 ips (152 mm/s)	Up to 4 ips (101 mm/s)
Media Sensors	Movable Black Mark Sensor / Fixed Gap Sensor	
Emulation	TSPL, ZPL, EPL, DPL	
Interface	USB, USB+Serial, USB+Lan, USB+Serial+Lan (Optional Wireless Connectivity: Bluetooth / Wi-Fi)	
Others	Optional RTC, Standard SD Card Slot	
Media and Ribbon Characteristics		
Media Length	0.39 in. ~ 70 in. (10 mm ~ 1778 mm)	0.39 in. - 35 in. (10 mm - 889 mm)
Media Width	0.78 in. - 4.6 in. (20 mm - 118 mm)	
Media Roll Size	5 in./127 mm Outer Diameter, Core Inner Diameter: 1 in. (25.4 mm) - 1.5in. (38.1mm)	
Thickness	0.0023 in. (0.06 mm) Min.; 0.01 in. (0.254 mm) Max.	
Media Types	Continuous, Gap, Black mark, Fan~fold, Perforated Media	
Environment Condition		
Operating Temp.	5~40°C (41~104°F)	
Storage Temp.	-40~60°C (-40~140°F)	
Operating Humidity	25 ~ 85% Non-Condensing	
Storage Humidity	10 ~ 90% Non-Condensing	
Fonts/Graphics/Symbologies		
1D Bar Codes	Code 39, Code 93, Code 128UCC, Code 128 subsets A, B, C, Codabar, Interleaved 2 of 5, EAN-8, EAN-13, EAN-128, UPC-A, UPC-E, EAN and UPC 2(5) digits add-on, MSI, PLESSEY, POSTNET, China POST, GS1 DataBar, Code 11	
2D Bar Codes	PDF-417, Maxicode, DataMatrix, QR code, Aztec	
Fonts and Graphics	Font 0 ~ Font 8	
Software		
Driver	Windows / Linux / Mac / Android / Chrome OS	
SDK	Windows / Linux / Android / iOS	
Software	Bartender UltraLite / Mobile Label Design App	
Accessories		
Standard Accessories	Power Adapter, Power Cord, USB Cable, User Manual, CD, Label Spindle, Fixing Tab	
Factory Installed Options	Bluetooth Module, Wi-Fi Module, Peel-off Module	
User Options	8" External Paper Roll Holder	
Product Warranty		
Printhead life	The earlier of 30 km usage or 1 year	
Platen roller life	The earlier of 30 km usage or 1 year	
Printer Warranty	1 Year	
Physical Characteristics		
Dimension	219 mm x 190 mm x 179 mm (D x W x H)	
Weight	1.6 Kg	



Scan QR code to checkout Xprinter website for more update information.
Phone: (+86 756) 393 2978
Http://www.xprintertech.com
Email: overseas@xprinter.net

