

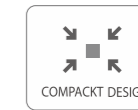
# XP-428B

Direct Thermal Label Printer

# Xprinter®

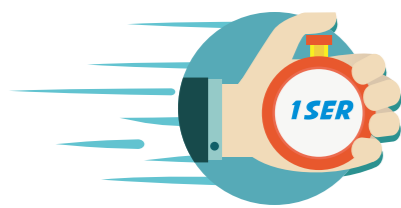
# XP-428B

Direct Thermal Printer

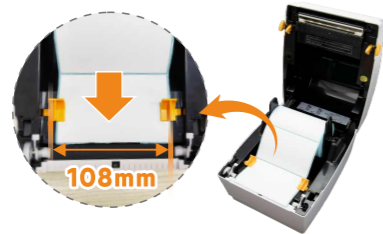


## 4 Inch Receipt Label Printer

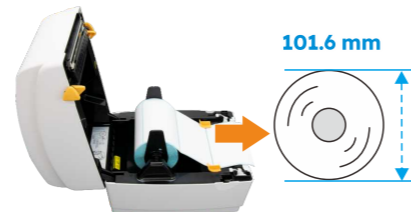
For Invoicing & Labelling



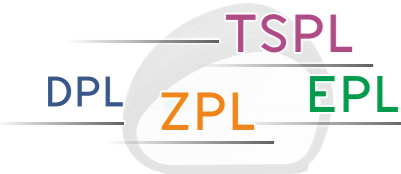
- One order per second, 152mm/s high print speed



- 108mm ultra wide Print specifications



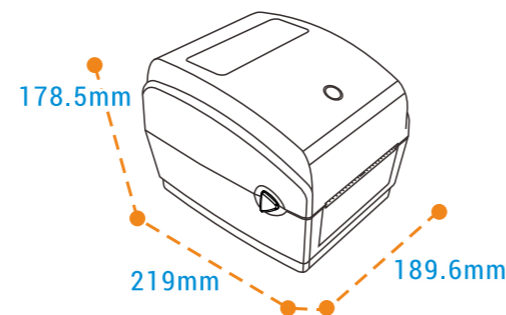
- Large capacity space



- Rich emulation language compatibility



- External paper roll holder (Optional)



### Printer Specifications

Resolution	203 DPI
Print Method	Direct Thermal
Memory	8 MB RAM / 8 MB Flash
Max. Print Width	4.25 in./108 mm
Max. Print Speed	Up to 6 ips (152 mm/s)
Media Sensors	Fixed Black Mark Sensor / Fixed Gap Sensor
Emulation	TSPL, ZPL, EPL, DPL
Interface	USB, USB+Serial (Optional Wireless Connectivity: Bluetooth / Wi-Fi)

### Media and Ribbon Characteristics

Media Length	0.39 in. ~ 70 in. (10 mm ~ 1778 mm)
Media Width	1 in. ~ 4.56 in. (25.4 mm ~ 116 mm)
Media Roll Size	4 in./101.6 mm Outer Diameter; Core Inner Diameter: 1 in. (25.4 mm)
Thickness	0.0023 in. (0.06 mm) Min.; 0.01 in. (0.254 mm) Max.
Media Types	Continuous, Gap, Black mark, Fan-fold, Perforated Media

### Environment Condition

Operating Temp.	5~40°C (41~104°F)
Storage Temp.	-40~60°C (-40~140°F)
Operating Humidity	25 ~ 85% Non-Condensing
Storage Humidity	10 ~ 90% Non-Condensing

### Fonts/Graphics/Symbologies

1D Bar Codes	Code 39, Code 93, Code 128UCC, Code 128 subsets A, B, C, Codabar, Interleaved 2 of 5, EAN-8, EAN-13, EAN-128, UPC-A, UPC-E, EAN and UPC 2(5) digits add-on, MSI, PLESSEY, POSTNET, China POST, GS1 DataBar, Code 11
2D Bar Codes	PDF-417, Maxicode, DataMatrix, QR code, Aztec
Fonts and Graphics	Font 0 ~ Font 8

### Software

Driver	Windows / Linux / Mac / Android / Chrome OS
SDK	Windows / Linux / Android / iOS
Software	Bartender UltraLite / Mobile Label Design App

### Accessories

Standard Accessories	Power Adapter, Power Cord, USB Cable, User Manual, CD, Label spindle, Fixing tab
Factory Installed Options	Bluetooth Module, Wi-Fi Module
User Options	8" External Paper Roll Holder

### Product Warranty

Printhead life	The earlier of 30 km usage or 1 year
Platen roller life	The earlier of 30 km usage or 1 year
Printer Warranty	1 Year

### Physical Characteristics

Dimension	219 mm × 189.6 mm × 178.5 mm (D × W × H)
Weight	1.4 Kg



Scan QR code to checkout Xprinter website for more update information.  
 Phone: (+86 756) 393 2978  
 Http://www.xprintertech.com  
 Email: overseas@xprinter.net

